

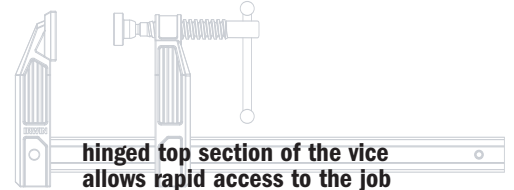
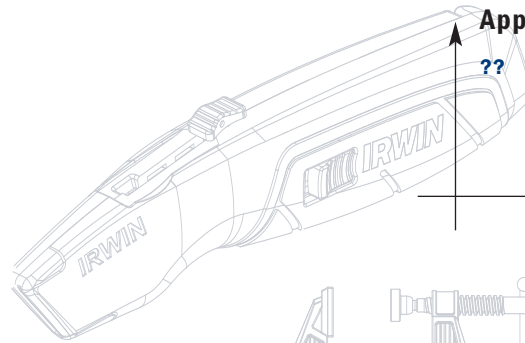
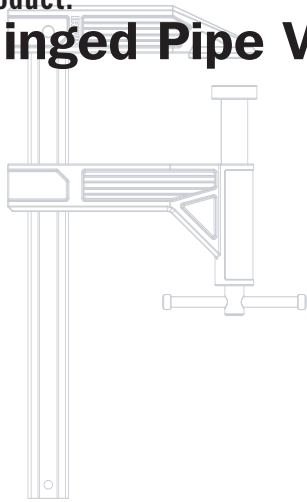


New Product – Key Facts

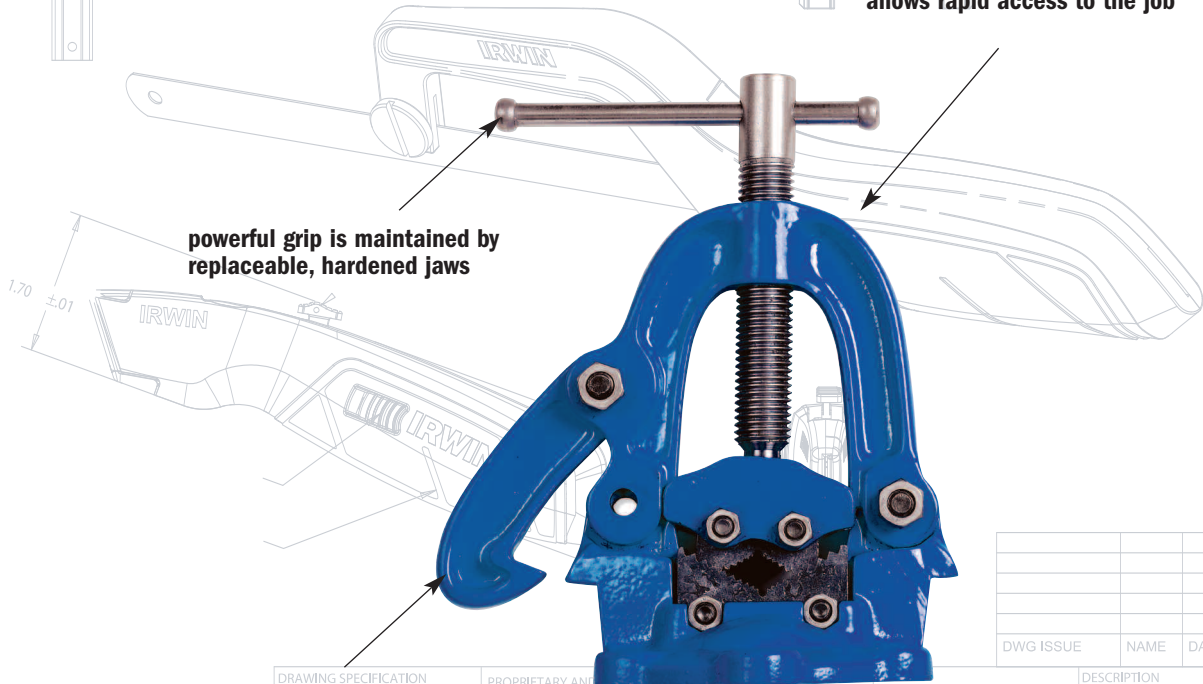
Product:
Hinged Pipe Vices

Application:

??



hinged top section of the vice allows rapid access to the job



powerful grip is maintained by replaceable, hardened jaws

cast from SG ductile iron

DWG ISSUE	NAME	DATE	SIGN

DRAWING SPECIFICATION	PROPRIETARY AND CONFIDENTIAL
DRAWING SCALE	
SHEET NUMBER	1
DRAWING SIZE	A3

THE INFORMATION CONTAINED IN THIS DRAWING IS THE SOLE PROPERTY OF IRWIN. NO PART OF THIS DRAWING IS TO BE REPRODUCED OR TRANSMITTED IN ANY FORM OR BY ANY MEANS, ELECTRONIC OR MECHANICAL, WITHOUT WRITTEN PERMISSION OF IRWIN INDUSTRIAL TOOLS GMBH.

LN	0	ANG	0
DATE	22-Sep	DRAWN BY	
DO NOT SCALE DWG			
COMPONENT VOLUME			

IRWIN
IRWIN INDUSTRIAL TOOLS GMBH
Lilienthalstrasse 7
D - 85399 Hallbergmoos
Phone: +49 (0)811 9598-0

DESCRIPTION	
DWG NO	DRW0001

Hinged Pipe Vices

Part #	Description	EAN	Shelf Pack
T92C	1/8" - 2"	0734442143529	1
T92-1/2C	1/8" - 2-1/2"	0734442143642	1
T93-1/2C	1/8" - 3-1/2"	0734442143765	1
T96	1/8" - 6"	0734442143888	1