



New Product – Key Facts

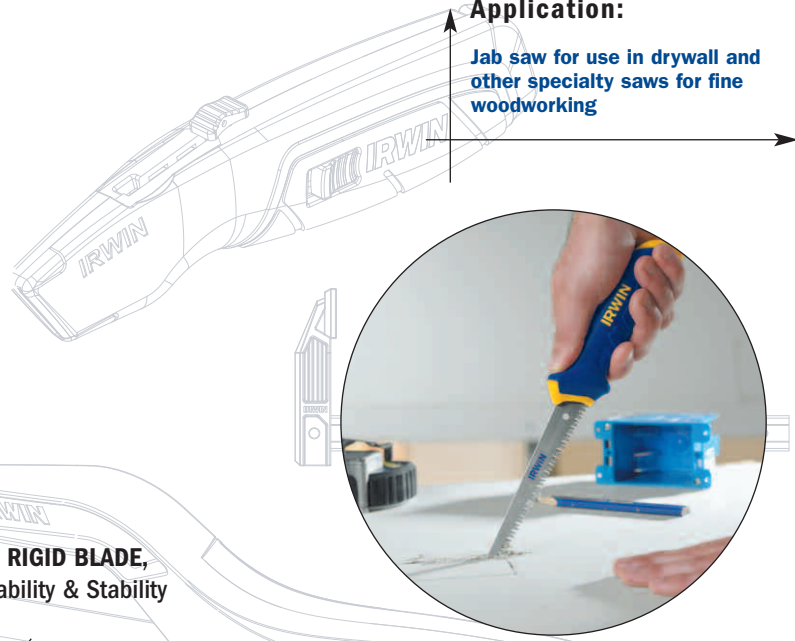
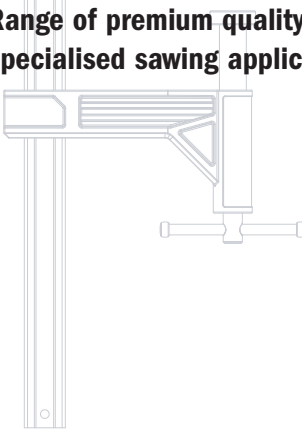
Product:

Specialty saws

- Range of premium quality saws for specialised sawing applications

Application:

Jab saw for use in drywall and other specialty saws for fine woodworking



HARDENED & TEMPERED BLADE,
For durability

1.5MM RIGID BLADE,
For durability & Stability

SHARPENED TIP
For easy punching through drywall

AGGRESSIVE TOOTH DESIGN
For improved cutting performance and greater removal of waste material

8TPI/9PPI TRIPLE GROUND TEETH
For aggressive cuts on push and pull strokes

PRO-TOUCH SOFT GRIP HANDLE,
For durability and comfort

<p>DESCRIPTION</p> <p>SCALE</p> <p>DRAWING SCALE</p> <p>SHEET NUMBER</p> <p>DRAWING SIZE</p> <p>A3</p>	<p>PROPRIETARY AND CONFIDENTIAL</p> <p>THE INFORMATION CONTAINED IN THIS DRAWING IS THE SOLE PROPERTY OF IRWIN HOLDINGS GMBH. ANY REPRODUCTION IN PART OR AS A WHOLE WITHOUT WRITTEN PERMISSION OF IRWIN HOLDINGS GMBH IS PROHIBITED.</p>	<p>TOLERANCES</p> <p>UN 0 ANG 0</p> <p>DIMENSIONS ARE IN DATE 22-Sep</p> <p>IRWIN</p> <p>IRWIN INDUSTRIAL TOOLS GMBH</p> <p>Phone: +49 (0)811 9598-0</p>	<p>DESCRIPTION</p> <p>NAME DATE SIGN</p> <p>DRW NO DRW0001</p>
--	---	--	--

Reversible blade saw and Coping saw



SPECIALTY SAWS

Part #	Description	EAN	Pack Type	Pack Qty
10505705	Jab Saw	5706915057058	carded	4
10505706	Coping Saw	5706915057065	carded	4
10505707	reversible blade saw	5706915057072	carded	4
10505708	Coping blades (Coarse, 3pk)	5706915057089	carded	4
10505709	Coping Blades (Fine, 3pk)	5706915057096	carded	4